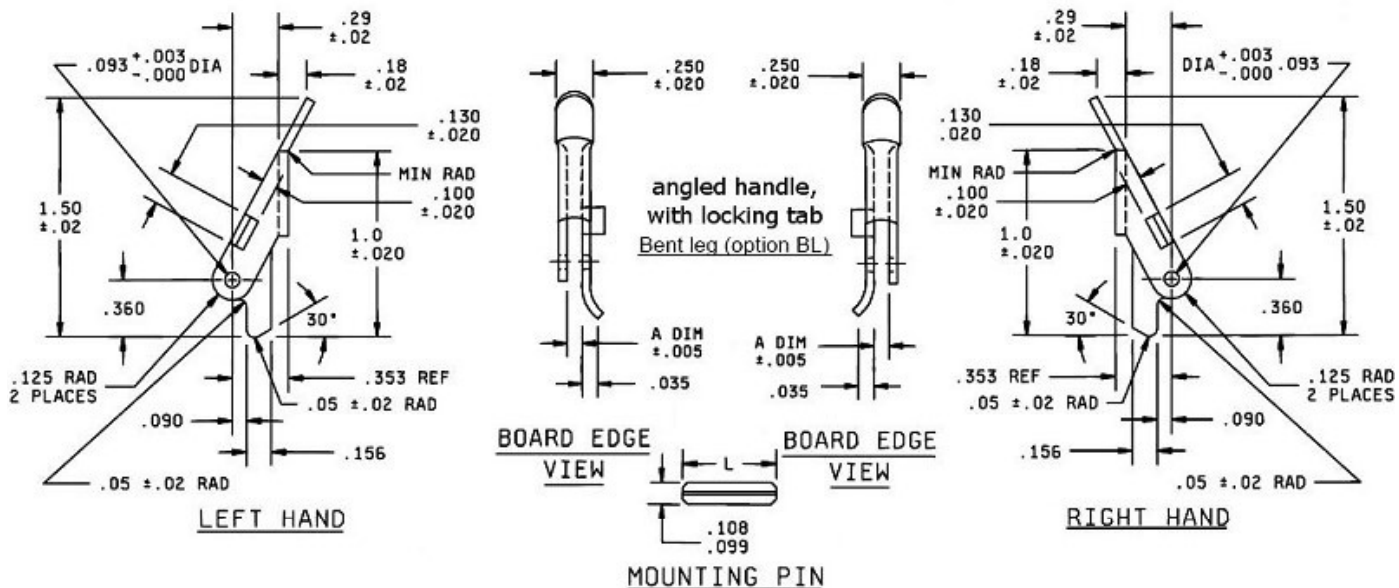


This drawing and the information contained herein are the confidential and proprietary property of Global Supply LLC

A=	BOARD THK	A WIDTH
.04	0.031	0.04
.075	0.063	0.075
.105	0.094	0.105
.142	0.125	0.142
.165	0.156	0.165


MATERIAL = M
A - ALUMINUM ALLOY 5052-H32
S-STAINLESS STEEL
T-ALUMINUM ALLOY 6061-T6

FINISH = F
C - CHEMICAL FILM (GOLD)
P - PASSIVATE
B - BLACK ANODIZE
E - CHEM FILM (GOLD)SED
1 - RED ANODIZE
2 - BLUE ANODIZE
3 - GREEN ANODIZE
4 - YELLOW ANODIZE
6 - ORANGE ANODIZE
7 - PURPLE ANODIZE
8 - GRAY ANODIZE
9 - BROWN ANODIZE
0 - CLEAR ANODIZE



**NOTES:**

1. INTERPRET DRAWING PER ASME Y14.5M-1994
2. ROHS AND REACH COMPLIANT

<b>DRAWING SCALE:</b>		<b>MATERIAL:</b>	<b>DESCRIPTION:</b>						
<b>STANDARD</b>		<b>SEE MATERIAL CHART</b>	<b>METAL CARD EJECTOR, ANGLED HANDLE, BENT LEG, LOCKING TAB</b>						
<b>TOLERANCES:</b> <i>Unless specified otherwise, all dimensions are in inches</i>	<table> <tr> <td>x.xxx</td> <td>+/- 0.005</td> </tr> <tr> <td>x.xx</td> <td>+/- 0.010</td> </tr> <tr> <td>x.x</td> <td>+/- 0.010</td> </tr> </table>	x.xxx	+/- 0.005	x.xx	+/- 0.010	x.x	+/- 0.010	<b>FINISH:</b>	<b>PART NUMBER:</b>
x.xxx	+/- 0.005								
x.xx	+/- 0.010								
x.x	+/- 0.010								
		<b>SEE FINISH CHART</b>	<b>ME-AH-(A)-(L or R)(M)(F)BLT</b>						
<b>DRAWN BY:</b>	<b>L. Clary</b>	<b>FCSM No.</b> <b>67012</b>	 <b>Global Supply LLC</b> WORLDWIDE SUPPLIER OF ELECTRONIC HARDWARE, FASTENERS & COMPONENTS 500 Division Street, Campbell, CA 95008-6906 Tel: 408 960 0370 Fax: 408 960 0375 Web: www.globalsupply.com						
<b>REV:</b>	<b>APPROVAL</b>			<b>DATE:</b>					
Initial Release	LJA	Mar 26, 2019							
		<b>ECCN</b>							
		<b>EAR99 = NLR (No License Required)</b>							