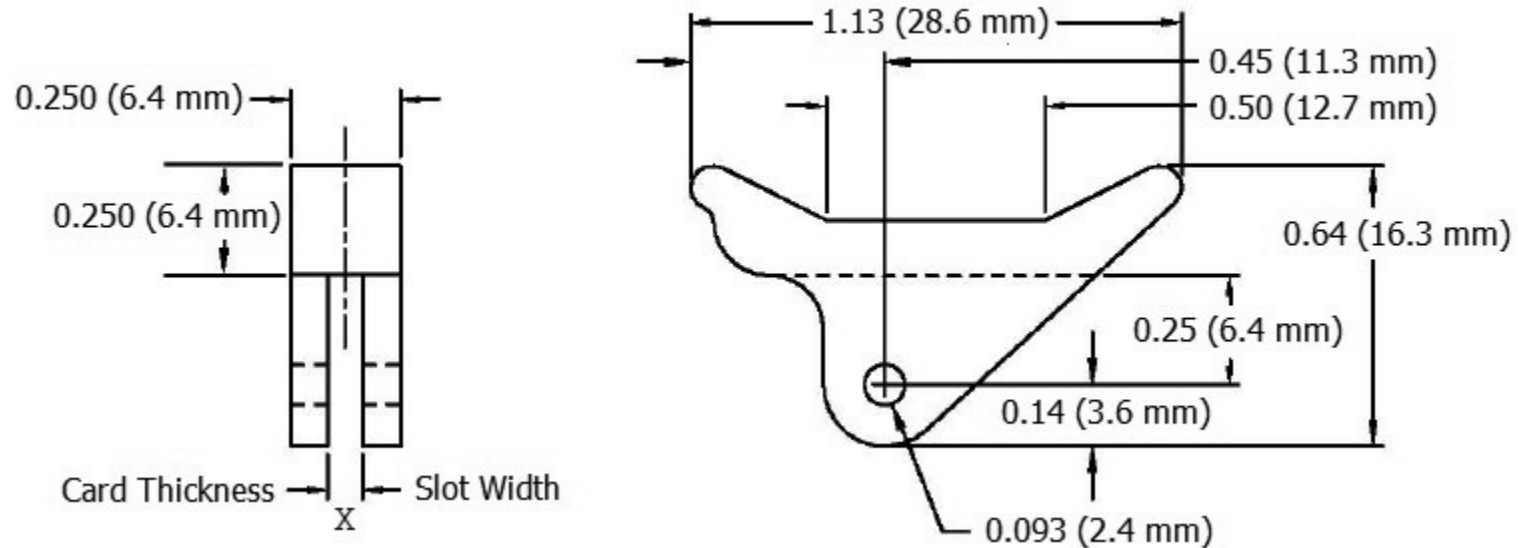



This drawing and the information contained herein are the confidential and proprietary property of Global Supply LLC

9662 1/16" (1.59 mm) CARD
 9632 3/32" (2.38 mm) CARD



NOTES:

1. INTERPRET DRAWING PER ASME Y14.5M-1994
2. ROHS AND REACH COMPLIANT

DRAWING SCALE:		MATERIAL:	DESCRIPTION:
STANDARD		NYLON	PCB EJECTOR
TOLERANCES: <i>Unless specified otherwise, all dimensions are in inches</i>	x.xxx +/- 0.005 x.xx +/- 0.010 x.x +/- 0.010	FINISH:	PART NUMBER:
		NONE	96X2
DRAWN BY:	L. CLARY	FCSM No. 67012	 Global Supply LLC WORLDWIDE SUPPLIER OF ELECTRONIC HARDWARE, FASTENERS & COMPONENTS <small>500 Division Street, Campbell, CA 95008-6906 Tel: 408 960 0370 Fax: 408 960 0375 Web: www.globalsupply.com</small>
REV:	APPROVAL		
INITIAL	LJA	Oct 1, 2014	
A	LJA	Mar 12, 2019	
		ECCN	
		EAR99 = NLR (No License Required)	