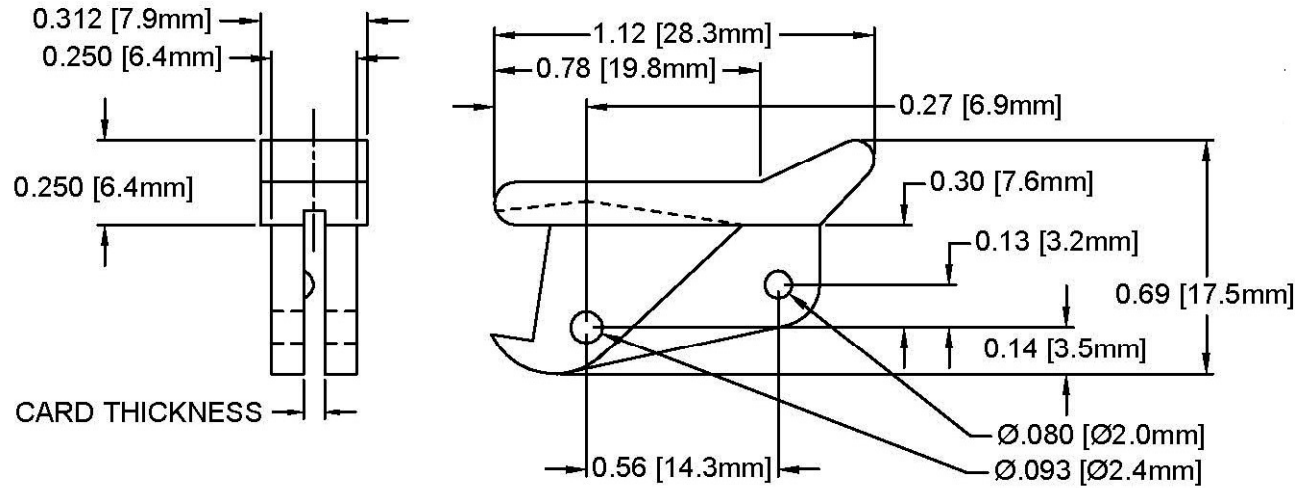



This drawing and the information contained herein are the confidential and proprietary property of Global Supply LLC



NOTES:

1. INTERPRET DRAWING PER ASME Y14.5M-1994
2. ROHS AND REACH COMPLIANT

DRAWING SCALE:		MATERIAL:		DESCRIPTION:	
STANDARD		NYLON		PCB CARD EJECTOR	
TOLERANCES: <i>Unless specified otherwise, all dimensions are in inches</i>		FINISH:		PART NUMBER:	
x.xxx +/- 0.005		NONE		9062	
x.xx +/- 0.010					
x.x +/- 0.010					
DRAWN BY:	L.CLARY		FCSM No. 67012		 Global Supply LLC WORLDWIDE SUPPLIER OF ELECTRONIC HARDWARE, FASTENERS & COMPONENTS 500 Division Street, Campbell, CA 95008-6906 Tel: 408 960 0370 Fax: 408 960 0375 Web: www.globalsupply.com
REV:	APPROVAL	DATE:			
INITIAL	LJA	Mar 24, 2015			
A	LJA	Mar 11, 2019			
			ECCN		
			EAR99 = NLR (No License Required)		