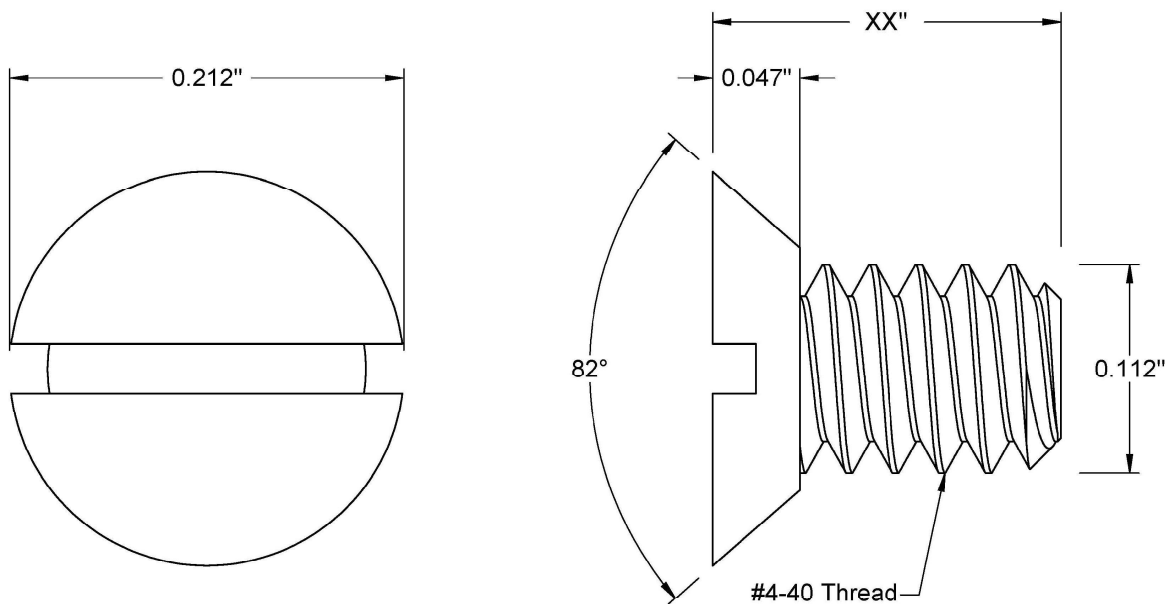



This drawing and the information contained herein are the confidential and proprietary property of Global Supply LLC



PART NUMBER	LENGTH
4C8MI8SP	1/8
4C12MI8SP	3/16
4C16MI8SP	1/4
4C20MI8SP	5/16
4C24MI8SP	3/8
4C28MI8SP	7/16
4C32MI8SP	1/2
4C40MI8SP	5/8
4C48MI8SP	3/4
4C56MI8SP	7/8
4C64MI8SP	1
4C152MI8SP	2 3/8
4C192MI8SP	3

NOTES:
 1. INTERPRET DRAWINGS PER ASME Y14.5M-1994.
 2. DIMENSIONS & TOLERANCES PER ANSI/ASME B18.6.3
 3. ROHS AND REACH COMPLIANT

DRAWING SCALE: STANDARD		MATERIAL: STAINLESS STEEL	DESCRIPTION: #4-40 FLAT SLOT 82° HEAD MACHINE SCREW		
TOLERANCES: <i>Unless specified otherwise, all dimensions are in inches</i>	x.xxx +/- 0.005 x.xx +/- 0.010 x.x +/- 0.010	FINISH: PASSIVATE	PART NUMBER: 4CXXMI8SP		
DRAWN BY: L.CLARY	FSCM No. 67012 ECCN EAR99 = NLR (No License Required)		 Global Supply LLC WORLDWIDE SUPPLIER OF ELECTRONIC HARDWARE, FASTENERS & COMPONENTS <small>500 Division Street, Campbell, CA 95008-6906 Tel: 408 960 0370 Fax: 408 960 0375 Web: www.globalsupply.com</small>		
REV:				APPROVAL	DATE:
INITIAL RELEASE				LJA	Sep 3, 2009
A				LJA	Apr 24, 2014
B	LJA	Mar 6, 2018			