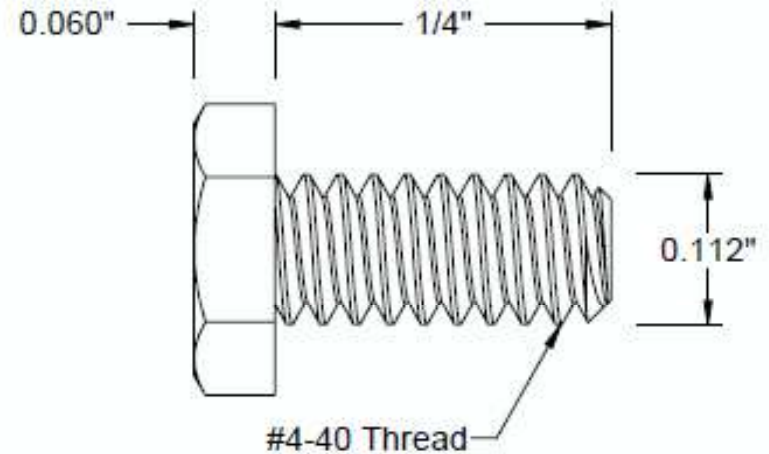
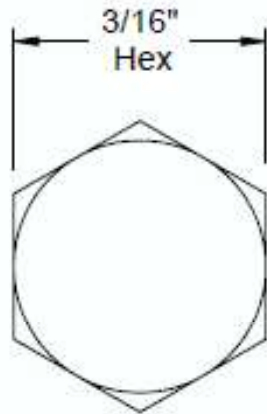



This drawing and the information contained herein are the confidential and proprietary property of Global Supply LLC



**NOTES:**

1. INTERPRET DRAWINGS PER ASME Y14.5M-1994 STANDARD.
2. DIMENSIONS & TOLERANCE PER ANSI/ASME B18.2.1
3. ROHS AND REACH COMPLIANT

<b>DRAWING SCALE:</b>		<b>MATERIAL:</b>	<b>DESCRIPTION:</b>						
<b>STANDARD</b>		<b>BRASS</b>	<b>4-40 X 1/4 HEX HEAD BOLT</b>						
<b>TOLERANCES:</b> <i>Unless specified otherwise, all dimensions are in inches</i>	<table border="0"> <tr><td>x.xxx</td><td>+/- 0.005</td></tr> <tr><td>x.xx</td><td>+/- 0.010</td></tr> <tr><td>x.x</td><td>+/- 0.010</td></tr> </table>	x.xxx	+/- 0.005	x.xx	+/- 0.010	x.x	+/- 0.010	<b>FINISH:</b>	<b>PART NUMBER:</b>
x.xxx	+/- 0.005								
x.xx	+/- 0.010								
x.x	+/- 0.010								
		<b>NICKEL</b>	<b>4C16BHHBN</b>						
<b>DRAWN BY:</b>	<b>LCLARY</b>		 <p><b>Global Supply LLC</b> WORLDWIDE SUPPLIER OF ELECTRONIC HARDWARE, FASTENERS &amp; COMPONENTS 500 Division Street, Campbell, CA 95008-6906 Tel: 408 960 0370 Fax: 408 960 0375 Web: www.globalsupply.com</p>						
<b>REV:</b>	<b>APPROVAL</b>	<b>DATE:</b>							
<b>INITIAL REV</b>	LJA	May 22, 2018							
		FCSM No. <b>67012</b>							
		ECCN							
		EAR99 = NLR (No License Required)							