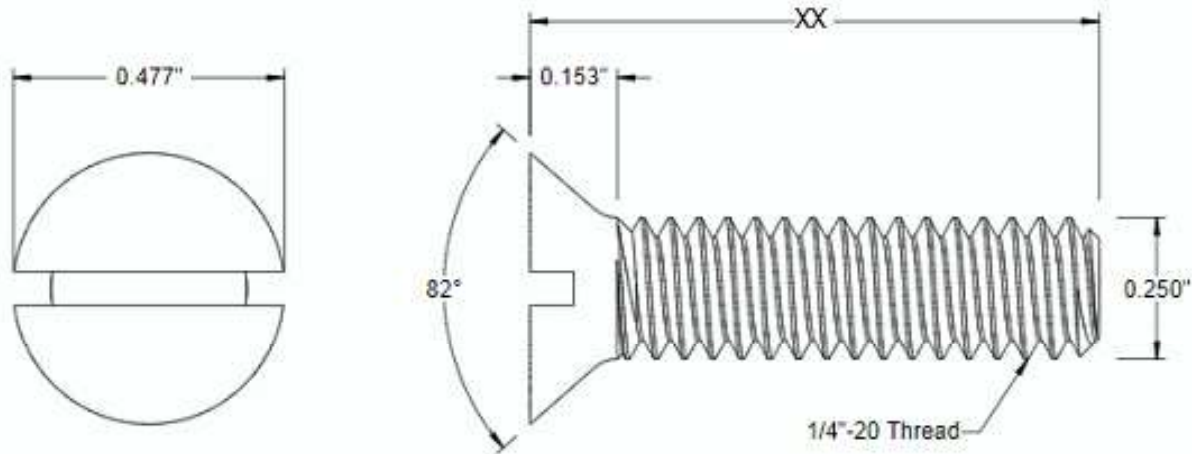



This drawing and the information contained herein are the confidential and proprietary property of Global Supply LLC



PART NUMBER	LENGTH
25C16MI8SP	1/4
25C24MI8SP	3/8
25C32MI8SP	1/2
25C40MI8SP	5/8
25C48MI8SP	3/4
25C56MI8SP	7/8
25C64MI8SP	1
25C72MI8SP	1 1/8
25C80MI8SP	1 1/4
25C96MI8SP	1 1/2
25C112MI8SP	1 3/4
25C128MI8SP	2
25C160MI8SP	2 1/2



NOTES:
 1. INTERPRET DRAWINGS PER ASME Y14.5M-1994 STANDARD.
 2. DIMENSIONS & TOLERANCES PER ANSI/ASME B18.6.3.
 3. ROHS AND REACH COMPLIANT

DRAWING SCALE:		MATERIAL:	DESCRIPTION:
STANDARD		STAINLESS STEEL	1/4-20 SLOTTED FLAT 82° MACHINE SCREW
TOLERANCES: <i>Unless specified otherwise, all dimensions are in inches</i>	x.xxx +/- 0.005 x.xx +/- 0.010 x.x +/- 0.010	FINISH:	PART NUMBER:
		PASSIVATE	25CXXMI8SP
DRAWN BY:	L CLARY	FSCM No.	 Global Supply LLC WORLDWIDE SUPPLIER OF ELECTRONIC HARDWARE, FASTENERS & COMPONENTS <small>500 Division Street, Campbell, CA 95008-6906 Tel: 408 960 0370 Fax: 408 960 0375 Web: www.globalsupply.com</small>
REV:	APPROVAL	DATE:	
INITIAL RELEASE	LJA	Jul 27, 2018	
		ECCN	
		EAR99 = NLR (No License Required)	